

CURVE BACK ASSEMBLY INSTRUCTIONS



(717) 354-8998 • (877) 560-5966
New Holland, PA







#116 Curve Back Swivel Glider



Tools Required

- Hammer
- #2 Square Head Bit
- Power Drill
- 7/16" Socket or 7/16 wrench

Included Hardware

A		4	1/4" x 2 1/2" Carriage Bolt
B		10	1/4" x 3 1/4" Carriage Bolt
C		14	1/4" Nut
D		4	1/4" x 1 1/2" Lag Bolt
E		4	1/4" x 5" Lag Bolt
F		8	2 1/2" Screws

Instructions:

1. Unpack items from box(es). Be sure to match any numbers & letters that you may find on the pieces.
2. To begin, set the seat upright. Set the back into the seat. Hold flush to the seat. Fasten the seat to the back using 2 (A) 1/4" x 2 1/2" Carriage Bolts and 2 (C) 1/4" Nuts. (Illustration 2) Repeat on the other side.
3. Lay the chair on its back and fasten the arm and leg combo. Fasten the arm of the arm and leg combo to the back using 1 (B) 1/4" x 3 1/4" Carriage Bolt and 1 (C) 1/4" Nut. Then fasten the legs to the seat using 4 (B) 1/4" x 3 1/4" Carriage Bolt and 4 (C) 1/4" Nut. (Illustration 3) Repeat on the other side.
4. Turn the chair completely upside down so that it is resting on its arm. Fasten the glider rails to the legs using 4 (F) 2 1/2" Screws (Illustration 4) Repeat on the other side.
5. Now take the swivel base and rotate the swivel plate 45°. (Illustration 5)
6. Attach the swivel base to the glider rails. Fasten using 4 (D) 1/4" x 1 1/2" Lag Bolts. (Illustration 6)
7. Then attach the base to the swivel base using 4 (E) 1/4" x 5" Lag Bolts. (Illustration 7)

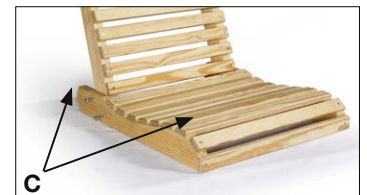


Illustration 2

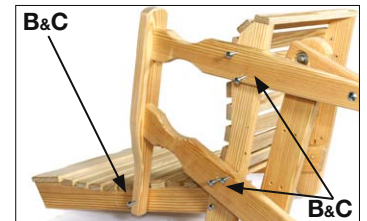


Illustration 3

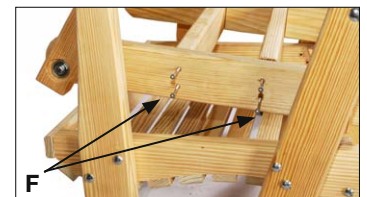


Illustration 4



Illustration 5

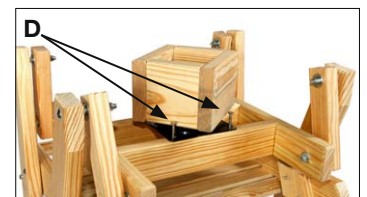


Illustration 6

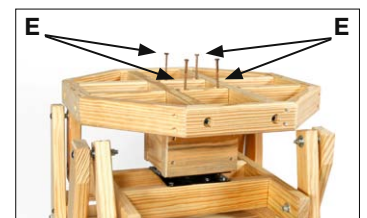


Illustration 7